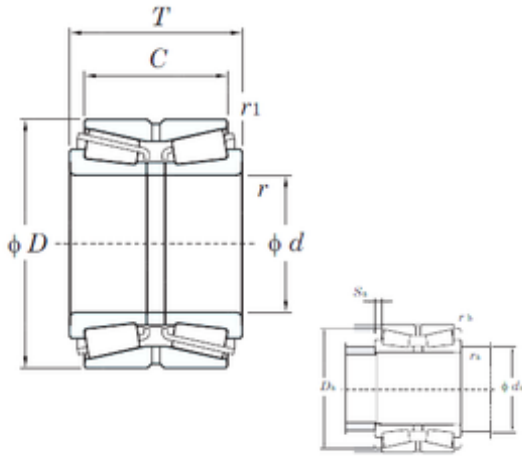




JAPAN IMPORTED BEARINGS CO., LTD



KOYO 46396 tapered roller bearings

Bearing No. 46396

Size	480x790x248 mm
Bore Diameter	480 mm
Outer Diameter	790 mm
Width	248 mm
d	480 mm
D	790 mm
T	248 mm
C	221 mm
r min.	7,5 mm
r1 min.	4 mm
da min.	516 mm
Da min	742 mm
ra max.	6 mm
rb max.	3 mm
Weight	457 Kg
Basic dynamic load rating (C)	4640 kN
Basic static load rating (C0)	8920 kN
(Grease) Lubrication Speed	230 r/min
(Oil) Lubrication Speed	310 r/min
Calculation factor (e)	0,39
Calculation factor (Y0)	1,7
Bearing No.	46396
r(min)	7.5
r1(min)	4
Cr	5820
C0r	8920

46396 Bearing 2D drawings and 3D CAD models



JAPAN IMPORTED BEARINGS CO., LTD

Cu	405
Grease lub.	230
Oil lub.	310
da(min)	516
Da(min)	772
Sa(min)	13.5
ra(max)	6
rb(max)	3
e	0.39
Y2	1.74
Y3	2.59
Y0	1.70
(Refer.)Mass(kg)	457