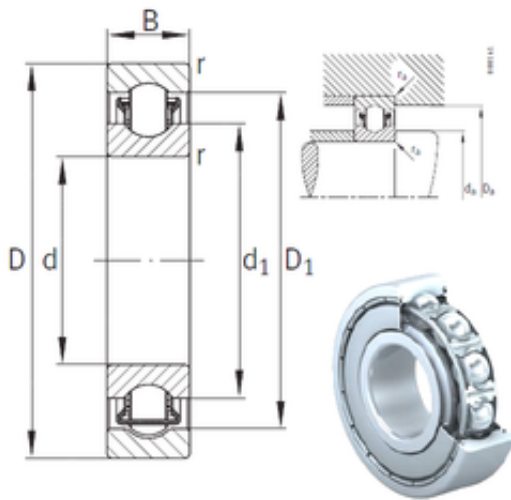




JAPAN IMPORTED BEARINGS CO., LTD



40 mm x 90 mm x 23 mm INA BXRE308-2Z
needle roller bearings

Bearing No. BXRE308-2Z

Size	40x90x23 mm
Bore Diameter	40 mm
Outer Diameter	90 mm
Width	23 mm
d	40 mm
D	90 mm
B	23 mm
C	23 mm
d1	57,9 mm
r min.	1,5 mm
D1	74,3 mm
da min.	49 mm
Da max.	81 mm
ra max.	1,5 mm
Weight	0,68 Kg
Basic dynamic load rating (C)	55 kN
Basic static load rating (C0)	39,5 kN
Fatigue load limit (Pu)	1 990

BXRE308-2Z Bearing 2D drawings and 3D CAD models