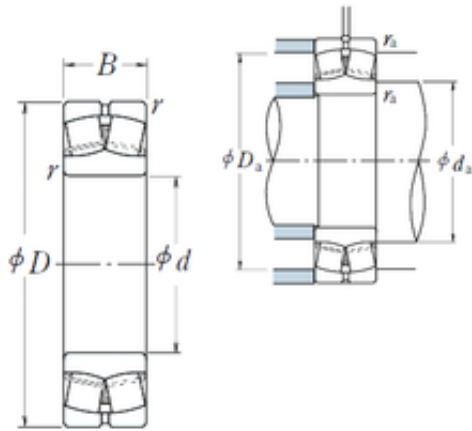




JAPAN IMPORTED BEARINGS CO., LTD



40 mm x 90 mm x 23 mm NSK 21308EAE4
spherical roller bearings

Bearing No. 21308EAE4

21308EAE4 Bearing 2D drawings and 3D CAD models

Size	40x90x23 mm
Bore Diameter	40 mm
Outer Diameter	90 mm
Width	23 mm
d	40 mm
D	90 mm
B	23 mm
C	23 mm
r min.	1,5 mm
da min.	49 mm
da max	54 mm
Da min	75 mm
Da max.	81 mm
ra max.	1,5 mm
Weight	0,73 Kg
Basic dynamic load rating (C)	94,5 kN
Basic static load rating (C0)	111 kN
(Grease) Lubrication Speed	5300 r/min
(Oil) Lubrication Speed	7000 r/min
Calculation factor (e)	0,25
Calculation factor (Y0)	2,6
Calculation factor (Y2)	3,9
Category	Spherical Roller Bearings
Inventory	0.0
Manufacturer Name	NSK



JAPAN IMPORTED BEARINGS CO., LTD

Minimum Buy Quantity	N/A
Weight / Kilogram	0.74
Product Group	B04311
Internal Clearance	C0-Medium
Mounting Method	Shaft Mount
Rolling Element	Spherical Roller Bearing
Bore Profile	Straight
Cage Material	Steel
Enclosure	Open
Number of Rows of Rollers	Double Row
Relubricatable	Yes
Withdrawal Sleeve	Not Applicable
Inch - Metric	Metric
Long Description	40MM Straight Bore; 90MM Outside Diameter; 23MM Width; C0-Medium Clearance; Shaft Mount; Double Row of Spherical Roller Bearings; Steel Cage Material; Open Enclosure; Relubricatable
Category	Spherical Roller Bearing
UNSPSC	31171510
Harmonized Tariff Code	84823080
Noun	Bearing
Keyword String	Spherical
Manufacturer URL	http://www.nskamericas.com
Manufacturer Item Number	21308EAE4
Weight / LBS	0.74
Adapter Part Number	Not Applicable Inch Not Applicable Millimeter
Bore	1.575 Inch 40 Millimeter
Outside Diameter	3.543 Inch 90 Millimeter
Width	0.906 Inch 23 Millimeter



JAPAN IMPORTED BEARINGS CO., LTD

Y3	2.7
hidYobi	21308EAE4
LangID	1
Y1	2.7
D_	90
Y2	3.9
Macha rpm	11000
B_	23
da min	49
hidTable	ecat_NSSPHR
Oil rpm	7500
Y0	2.6
mass	0.73
GRS rpm	6000
ra	1.5
TSR rpm	6700
C0	111
DE_	76.9
X0	1
Prod_Type3	SRB_CTB_CB
X1	1
X2	0.67
SIR	8.91
e	0.25
DA_	10.35
bomp	21308EAE4
Z_	18
ALP2	38
ALP1	9
ALP3	0
D_a max	81
D_a min	75



JAPAN IMPORTED BEARINGS CO., LTD

yobi	21308EAE4
HPS	HPS
ALPHA_	0.168
SDM_	66.696
r	1.5
KBRG	2328
SBRG	3
DI_	56.492