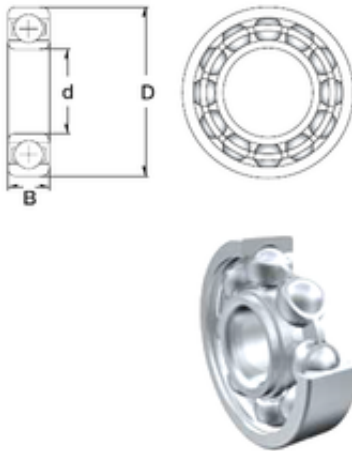




# JAPAN IMPORTED BEARINGS CO., LTD



240 mm x 320 mm x 38 mm ZEN 61948 deep groove ball bearings

Bearing No. 61948

Size	240x320x38 mm
Bore Diameter	240 mm
Outer Diameter	320 mm
Width	38 mm
d	240 mm
D	320 mm
B	38 mm
C	38 mm
Basic dynamic load rating (C)	122 kN
Basic static load rating (C0)	146 kN
(Grease) Lubrication Speed	1800 r/min

61948 Bearing 2D drawings and 3D CAD models