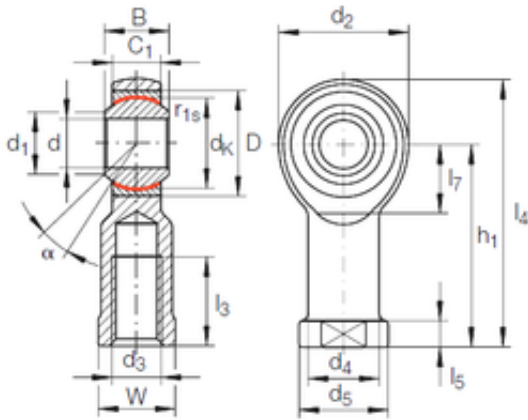




JAPAN IMPORTED BEARINGS CO., LTD

16 mm x 32 mm x 21 mm INA GIPFR 16 PW plain bearings



GIPFR 16 PW Bearing 2D drawings and 3D CAD models

Bearing No. GIPFR 16 PW

Size	16x32x21 mm
Bore Diameter	16 mm
Outer Diameter	32 mm
Width	21 mm
d	16 mm
D	32 mm
B	21 mm
d1	19,3 mm
d2	42 mm
d4	22 mm
dk	28,575 mm
h1	64 mm
l3 min.	28 mm
l4 max.	85 mm
l5	8 mm
l7 min.	23 mm
r1 min.	0,3 mm
C1	15 mm
W	22 mm
Thread (G)	M16X1,5
Angle	15 °
d5	28 r/min
Weight	0,22 Kg
Basic dynamic load rating (C)	39 kN