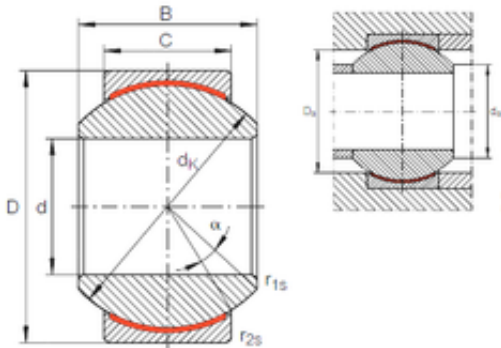




JAPAN IMPORTED BEARINGS CO., LTD

16 mm x 32 mm x 21 mm INA GE 16 PW plain bearings



Bearing No. GE 16 PW

| | |
|-------------------------------|-------------|
| Size | 16x32x21 mm |
| Bore Diameter | 16 mm |
| Outer Diameter | 32 mm |
| Width | 21 mm |
| d | 16 mm |
| D | 32 mm |
| B | 21 mm |
| C | 15 mm |
| dk | 28,575 mm |
| r1 min. | 0,3 mm |
| r2 min. | 0,3 mm |
| da max | 19,3 mm |
| Da min | 25,5 mm |
| Angle | 15 ° |
| Weight | 0,079 Kg |
| Basic dynamic load rating (C) | 39 kN |

GE 16 PW Bearing 2D drawings and 3D CAD models