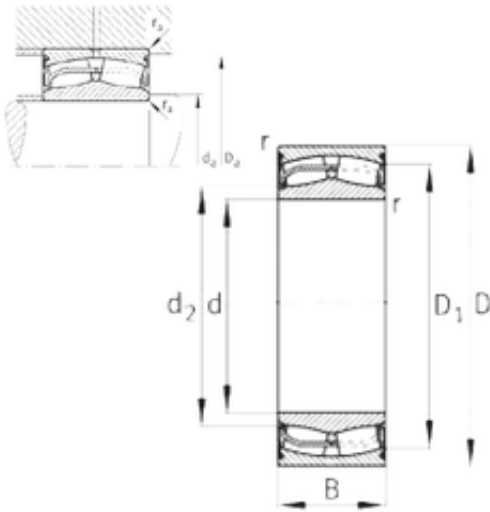




JAPAN IMPORTED BEARINGS CO., LTD

160 mm x 270 mm x 109 mm FAG 24132-E1-2VSR-H40 spherical roller bearings



Bearing No. 24132-E1-2VSR-H40

24132-E1-2VSR-H40 Bearing 2D drawings and 3D CAD models

Size	160x270x109 mm
Bore Diameter	160 mm
Outer Diameter	270 mm
Width	109 mm
d	160 mm
D	270 mm
B	109 mm
C	109 mm
d2	175,5 mm
r min.	2,1 mm
D1	245,6 mm
da min.	172 mm
Da max.	258 mm
ra max.	2,1 mm
Weight	25,4 Kg
Basic dynamic load rating (C)	1220 kN
Basic static load rating (C0)	1800 kN
Fatigue load limit (Pu)	168
Limiting speed	550 r/min
Calculation factor (e)	0,37
Calculation factor (Y0)	1,76
Calculation factor (Y1)	1,8