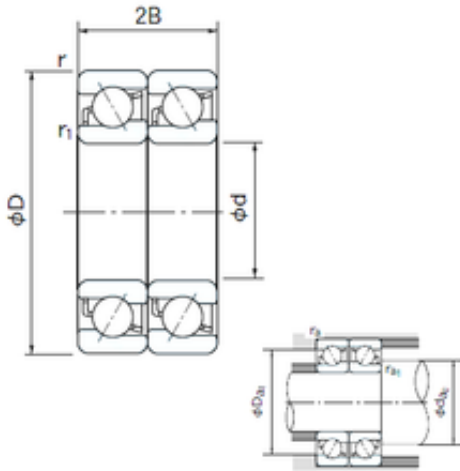




JAPAN IMPORTED BEARINGS CO., LTD



7224CDT Bearing 2D drawings and 3D CAD models

120 mm x 215 mm x 40 mm NACHI 7224CDT angular contact ball bearings

Bearing No. 7224CDT

Size	120x215x40 mm
Bore Diameter	120 mm
Outer Diameter	215 mm
Width	40 mm
d	120 mm
D	215 mm
B	40 mm
C	40 mm
Angle (°)	15 °
a -	0.6 mm
r min.	2.1 mm
r1 min.	1.1 mm
2B	80 mm
da min.	132 mm
Da max.	208 mm
ra max.	1 mm
Weight	6.05 Kg
Basic dynamic load rating (C)	300 kN
Basic static load rating (C0)	350 kN
(Grease) Lubrication Speed	3800 r/min
Bore Type	Cylindrical Bore
Enclosure	Open
Configuration	Duplex
Bore Size	120 mm
Outside Diameter	215 mm



JAPAN IMPORTED BEARINGS CO., LTD

Width	40 mm
Fillet Radius/Chamfer	2.1 mm
r1	1.1 mm
Dynamic Load Rating	300,000 N
Static Load Rating	350,000 N
Limiting Speed - Grease	3,800 rpm
Limiting Speed - Oil	5,300 rpm
da1 (min)	132 mm
da2 (min)	132 mm
Da1 (max)	203 mm
Da2 (max)	208 mm
ra (max)	2 mm
ra1 (max)	1 mm