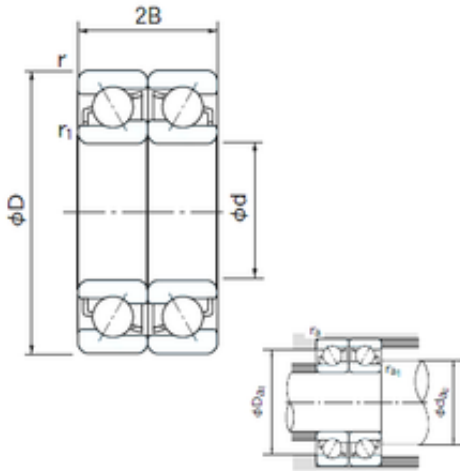




JAPAN IMPORTED BEARINGS CO., LTD



90 mm x 160 mm x 30 mm NACHI 7218BDF
angular contact ball bearings

Bearing No. 7218BDF

7218BDF Bearing 2D drawings and 3D CAD models

Size	90x160x30 mm
Bore Diameter	90 mm
Outer Diameter	160 mm
Width	30 mm
d	90 mm
D	160 mm
B	30 mm
C	30 mm
Angle (°)	40 °
a	37.5 mm
r min.	2 mm
r1 min.	1 mm
2B	60 mm
da min.	96 mm
Da max.	154 mm
ra max.	1 mm
Weight	2.30 Kg
Basic dynamic load rating (C)	179 kN
Basic static load rating (C0)	194 kN
(Grease) Lubrication Speed	2500 r/min
Bore Type	Cylindrical Bore
Enclosure	Open
Configuration	Duplex
Bore Size	90 mm
Outside Diameter	160 mm



JAPAN IMPORTED BEARINGS CO., LTD

Width	30 mm
Fillet Radius/Chamfer	2 mm
r1	1 mm
Dynamic Load Rating	179,000 N
Static Load Rating	194,000 N
Limiting Speed - Grease	2,500 rpm
Limiting Speed - Oil	3,400 rpm
da1 (min)	100 mm
da2 (min)	96 mm
Da1 (max)	150 mm
Da2 (max)	154 mm
ra (max)	2 mm
ra1 (max)	1 mm