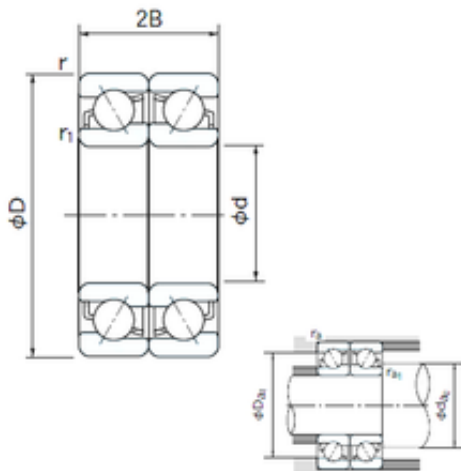




# JAPAN IMPORTED BEARINGS CO., LTD



7212DF Bearing 2D drawings and 3D CAD models

60 mm x 110 mm x 22 mm NACHI 7212DF  
angular contact ball bearings

Bearing No. 7212DF

Size	60x110x22 mm
Bore Diameter	60 mm
Outer Diameter	110 mm
Width	22 mm
d	60 mm
D	110 mm
B	22 mm
C	22 mm
Angle ( ° )	30 °
a	13.5 mm
r min.	1.5 mm
r1 min.	1 mm
2B	44 mm
da min.	65 mm
Da max.	104.6 mm
ra max.	1 mm
Weight	0.820 Kg
Basic dynamic load rating (C)	100 kN
Basic static load rating (C0)	97,5 kN
(Grease) Lubrication Speed	4300 r/min
Bore Type	Cylindrical Bore
Enclosure	Open
Configuration	Duplex
Bore Size	60 mm
Outside Diameter	110 mm



## JAPAN IMPORTED BEARINGS CO., LTD

Width	22 mm
Fillet Radius/Chamfer	1.5 mm
r1	1 mm
Dynamic Load Rating	100,000 N
Static Load Rating	97,500 N
Limiting Speed - Grease	4,300 rpm
Limiting Speed - Oil	5,600 rpm
da1 (min)	69 mm
da2 (min)	65 mm
Da1 (max)	101 mm
Da2 (max)	104.6 mm
ra (max)	1.5 mm
ra1 (max)	1 mm