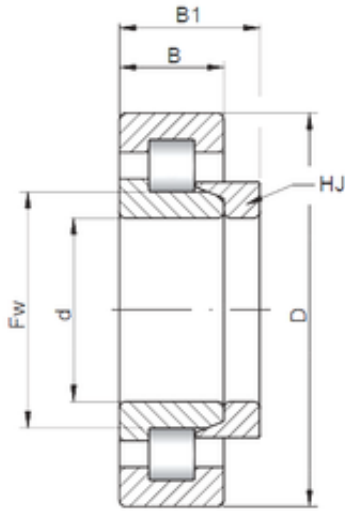




JAPAN IMPORTED BEARINGS CO., LTD



60 mm x 110 mm x 22 mm ISO NH212
cylindrical roller bearings

Bearing No. NH212

Size	60x110x22 mm
Bore Diameter	60 mm
Outer Diameter	110 mm
Width	22 mm
d	60 mm
D	110 mm
B	22 mm
C	22 mm
B1	6 mm
B2	10 mm

NH212 Bearing 2D drawings and 3D CAD models