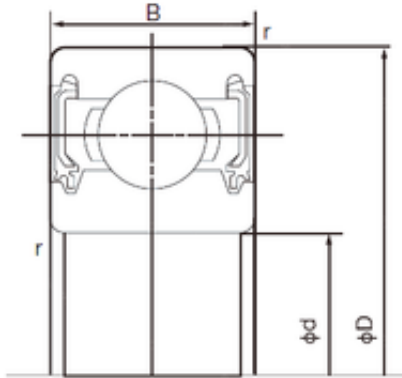




JAPAN IMPORTED BEARINGS CO., LTD

60 mm x 110 mm x 22 mm NACHI 6212-2NKE
deep groove ball bearings



Bearing No. 6212-2NKE

6212-2NKE Bearing 2D drawings and 3D CAD models

Size	60x110x22 mm
Bore Diameter	60 mm
Outer Diameter	110 mm
Width	22 mm
d	60 mm
D	110 mm
B	22 mm
C	22 mm
r min.	1.5 mm
da min.	69 mm
Da max.	101 mm
ra max.	1.5 mm
Weight	0.783 Kg
Basic dynamic load rating (C)	52,5 kN
Basic static load rating (C0)	36 kN
Bore Type	Cylindrical Bore
Enclosure	Double Seal
Configuration	Single Row
Bore Size	60 mm
Outside Diameter	110 mm
Width	22 mm
Dynamic Load Rating	52,500 N
Static Load Rating	36,000 N
Limiting Speed - Grease	6,000 rpm
Factor fo	14.3



JAPAN IMPORTED BEARINGS CO., LTD

Radial Clearance	0.008 to 0.028 mm
da (min)	69 mm
Da (max)	101 mm
ra (max)	1.5 mm