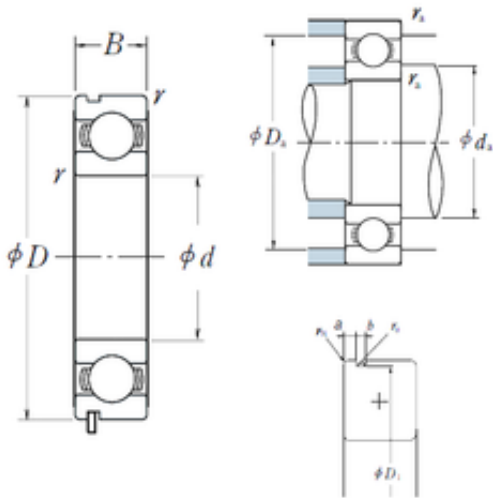




# JAPAN IMPORTED BEARINGS CO., LTD



60 mm x 110 mm x 22 mm NSK 6212N deep groove ball bearings

Bearing No. 6212N

6212N Bearing 2D drawings and 3D CAD models

Size	60x110x22 mm
Bore Diameter	60 mm
Outer Diameter	110 mm
Width	22 mm
d	60 mm
D	110 mm
B	22 mm
C	22 mm
rn	0,5 mm
a	3,28 mm
b	2,7 mm
r min.	1,5 mm
r0 max.	0,6 mm
D1	106,81 mm
da min.	68 mm
da max	74,5 mm
Da max.	102 mm
ra max.	1,5 mm
Weight	0,783 Kg
Basic dynamic load rating (C)	52,5 kN
Basic static load rating (C0)	36 kN
(Grease) Lubrication Speed	5 600 r/min
(Oil) Lubrication Speed	7 100 r/min
SRI	8.22
hidYobi	6212N



## JAPAN IMPORTED BEARINGS CO., LTD

LangID	1
ro	0.6
D_	110
SREX	0.03
B_	22
da min	68
hidTable	ecat_NSRDGB
Oil rpm	7100
SRE	8.22
mass	0.783
GRS rpm	5600
ra	1.5
SRIX	0.03
D_a	102
SRIN	-0.03
C0	36
fo	14.3
SREN	-0.03
DE_	102.375
Prod_Type3	DGBB_SR_N_OT
DA_	15.875
bomp	0
Z_	10
yobi	6212N
C_conv	52500
ALPHA_	0
SDM_	86.5
r	1.5
KBRG	6101
SBRG	2
DI_	70.625